

Auto - Stacking Flood Barrier

ASFB

Delta Tech Group



Delta Technology Pte Ltd

(RD) SBS Roller Door Pte Ltd
By Delta Technology

Address: 34 Loyang Crescent Singapore 508993

Tel: +65 6382 2621 | +65 6285 7813

Fax: 65 6281 3496 | +65 6285 8150

Email: enquiry@deltatech.com.sg

Website: www.deltatech.com.sg



AUTO - STACKING FLOOD BARRIER



PAS 1188 Tested

Introduction

Under our Delta Tech Group, Auto-Stacking Flood Barrier (ASFB), with its durable structure is tested to PAS 1188 ensuring the maximum water tightness. ASFB also function as a roller shutter for security.

It is made of stainless steel guide and modular aluminium panel which are resistant against corrosion. The automatic system can set the flood barrier into two modes, security or flood mode. The panel automatically stacks against one when operate. ASFB is commonly installed factory, schools, shops, condominium and malls preventing floods.



ASFB



Distinctive Features



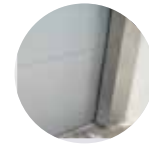
Approved Flood Protection System

ASFB is tested and approved to PAS 1188 international standard assuring the protection against flooding.



Long Yet Water Tight

Single Span up to 8m (L) X 5m (H), with the aid of sealing mechanism, it press the panels further ensuring water tightness throughout



Corrosion Resistance

Guide is made of stainless steel and panel is made of aluminium which both are durable against corrosion



Operation Versatility

ASFB can be manually or automatically operated by using hand chain or control box respectively.



Close activation via Flood sensor and Open activation via fire alarm

Upon flood sensor sensing rising flood, ASFB will automatically deployed into flood mode. Upon activation of fire alarm and in the event if the ASFB is closed, the fire alarm trigger will override the system and open the barrier for fire escape

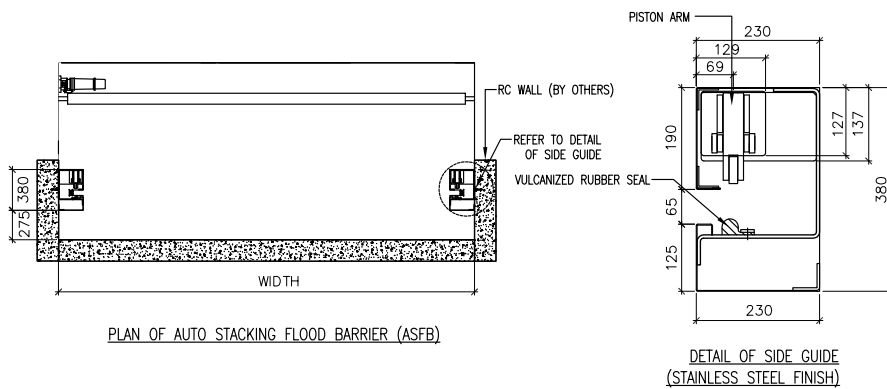
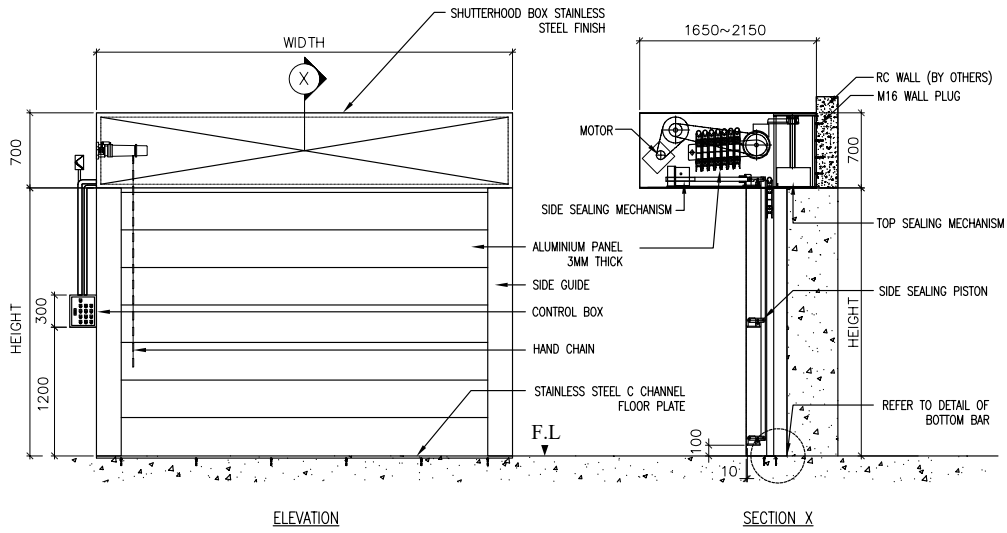


Intelligent System(IS)

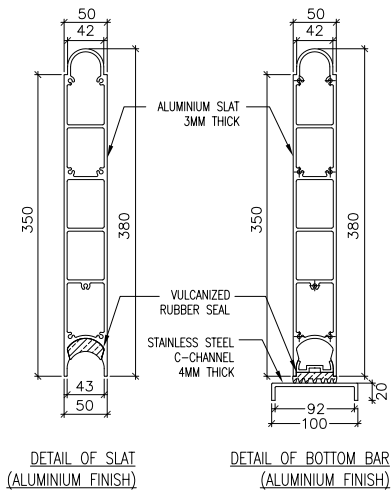
IS has a built-in Brake Renagement Device that stops the shutter once it touches the ground, this will protect the shutter and the ground from any damages. In addition, it can be which between security mode or flood mode during flooding

Typical Drawing

Auto - Stacking Flood Barrier



Slat Profile



Side Guide Fixing Position



Material & Finish Details

Parts	Material	Finishing
Slats	Aluminium	Natural Anodised
Side Guide	SUS304	Stainless Steel
Seal	Rubber	Vulcanized rubber gasket
Flood Plate	SUS304	Stainless Steel

*Refer DNT Chart for fluorocarbon colour options

*Refer to oxyplast chart for powder coating colour option

Motor Specifications

Manual Function	Hand Chain Pulley							
Power (hp)	0.20	0.28	0.42	0.47	1.00	1.50	2.00	3.00
Power (W)	150	210	310	350	750	1000	1500	2200
Voltage (V)	230(V)	230V	230V	230/415(V)	230/415(V)	415(V)	415(V)	415(V)
Current (A)	0.63	0.88	1.29	1.46	3.13	3.3	3.5	5
Poles (P)	4P							
Rating Time	5 minutes							
Rotation R.P.M	1720							
Gear Transmission	Single-Row-Off-Centre Gear				Double-Layer Planetary Gear			
Gear Ratio	45:1				68:1			
Brake and Clutch System	Autonomous Unit				Dual Brake			
Bracket	Chain Driven							
Sprocket	9T	9T	9T	10T	11T	11T	11T	11T
Chain	#50		#60 / #80		#60 / #80	#80	#80 / #100	#100
Length (mm)	445	445	470	570	615	635	660	695

*Thermal Overload 100°C

Built-in upper and lower limit switches

Flood Barrier Specifications

Item	Model	ASFB
Flood Rating		PAS 1188
Maximum Single Span		8000 mm (Width)
		5000 mm (Height)
Main Body	Side Guide	W380 x L230 (2.5mm thickness)
	Shutterhood	1650 ~ 2150 (W) x 650 ~ 750 (H)
	Panel (Height)	350 mm
	Panel (Width)	50 mm (4mm Thick)
	Bottom Bar	"I" Shape
Power Requirement		3 Phase, 415V, 20 Amp

*All dimensions in mm.

Components

Basic Components



Push Button Box
Electrically operate
(Mechanical)



Motor
Roller shutter
motorised operator

Optional Components



UPS
For emergency
back-up battery
power



Remote
Handheld controller
to operate shutter



Flood Sensor
For detecting
flood



BMS
To monitor the
flood barrier position
(open/ close/ fault)
from BCC/FCC

Others
Flood Light Siren
Flood Sound Siren
Remote Interfacing System

Remarks:

- Due to the properties of printing ink, the colour of the product may differ from the actual color.
- The specifications are subject to change without notice for improvements.
- All items are subjected to Delta Tech Group Terms & Conditions (available at our website, <http://www.deltatech.com.sg>)
 - Not all components are applicable

Delta Tech Group



Delta Technology Pte Ltd

RD SBS Roller Door Pte Ltd

Address: 34 Loyang Crescent Singapore 508993

Tel: +65 6382 2621 | +65 6285 7813

Fax: 65 6281 3496 | +65 6285 8150

Email: enquiry@deltatech.com.sg

Website: www.deltatech.com.sg

