

MEGA FABRIC DOOR

MFD

Delta Tech Group



Delta Technology Pte Ltd

(RD) SBS Roller Door Pte Ltd

Address: 34 Loyang Crescent Singapore 508993

Tel: +65 6382 2621 | +65 6285 7813

Fax: 65 6281 3496 | +65 6285 8150

Email: enquiry@deltatech.com.sg

Website: www.deltatech.com.sg



MEGA FABRIC DOOR

Under our Delta Tech Group, MFD series Mega Fabric Door caters to any size and opening requirements. The MFD is perfect for heavy industrial applications providing durability and reliability in everyday operations. Our PVC curtain are UV stabilization with self extinguishing properties. MFD is able to operate at temperatures between +70°C to -30°C. The aluminum construction aids in the protection against daily corrosion.

The unique design and structure of MFD offers flexibility which is designed to handle harsh weather, wind loads and extreme marine conditions.

MFD is commonly installed in places such as aircraft hangars, shipyards, distribution centers, offshore oil rig and any industrial installations that requires extensive openings.



Distinctive Features



Colossal and extensive

MFD is able to be customized to any dimensions which caters to any large industrial openings in the market. Multiple spans with automatic guide rails can also be designed.



High Wind-load Tolerance

MFD is designed to withstand and operate under different wind speed. Wind loading can be specifically design and constructed depending on each site conditions to maximum of 95m/s.



Withstand Extreme weather conditions

The MFD's fabric is UV stabilization with self-extinguishing properties. The door fabric is able to withstand temperatures between +70 to - 30°C.



Operation Versatility

MFD is operated automatically via a high capacity motor that can manually operated in case of a power failure.



Special Site Conditions

MFD can be designed to operate in areas with special conditions like explosion proof, extreme low temperature or partial submerge into seawater.



Speed

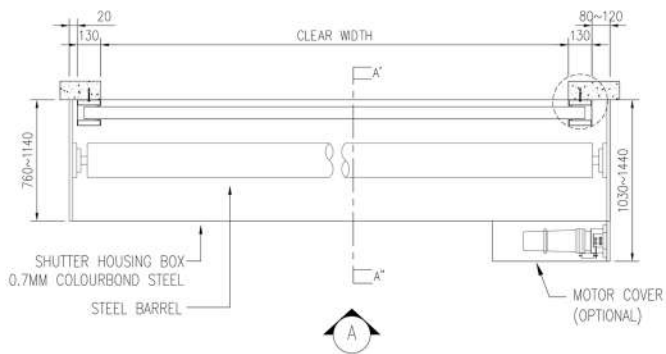
MFD operates at a standard 0.1m/s opening and closing speed. Other operation speed can also be set at request.

Material

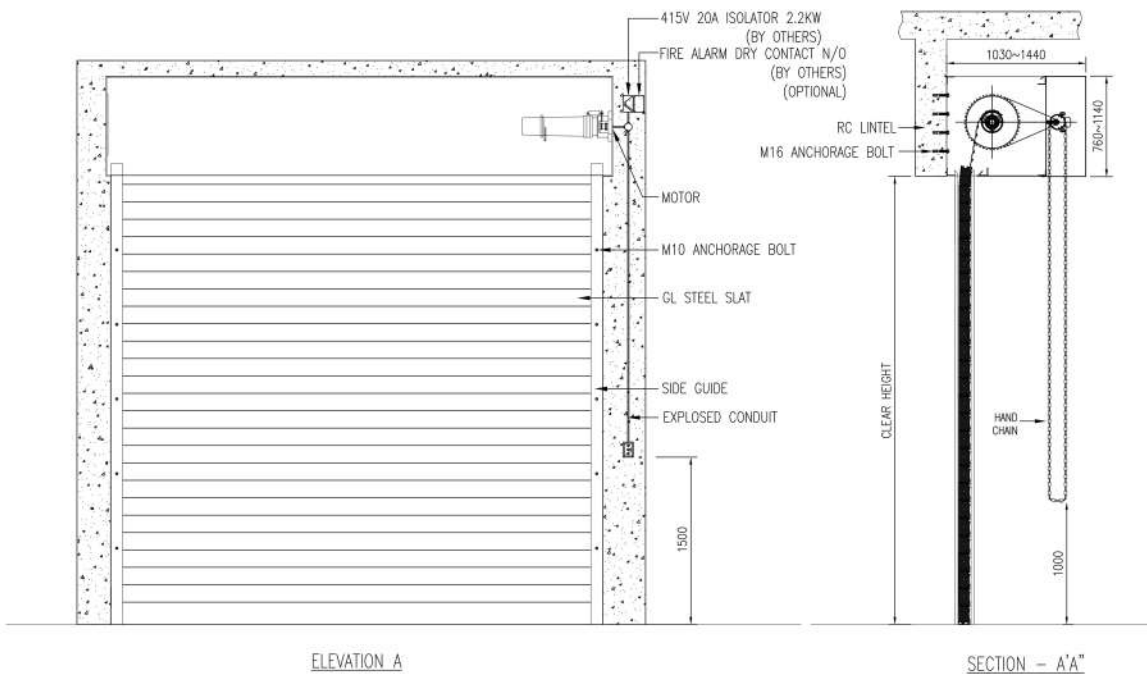
Item	Model	MFD
Components	Door Fabric	Heavy Duty PVC Fabric
	Door Beams	Extruded Aluminum / Aluminum Trusses
	Door Guides	Extruded Aluminum / Aluminum Trusses
	Bottom Beams	Extruded Aluminum / Aluminum Trusses Optional Weather Seal

Typical Drawing

Mega Fire Door Drawings



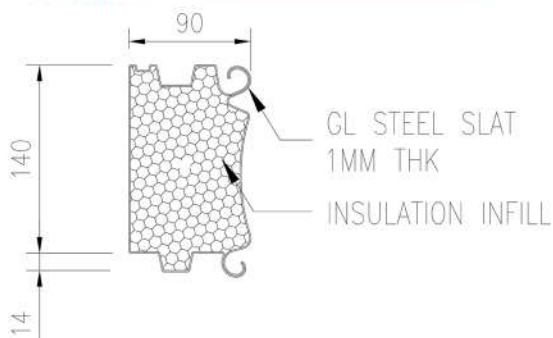
PLAN OF MOTORISED INSULATED FIRE STEEL SHUTTER (IFSS)



ELEVATION A

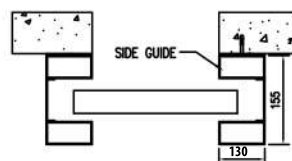
SECTION - A-A''

Slat Profile

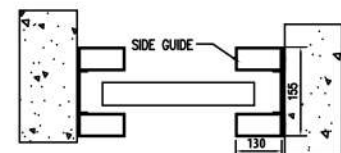


SLAT PROFILE

Side Guide Fixing Position

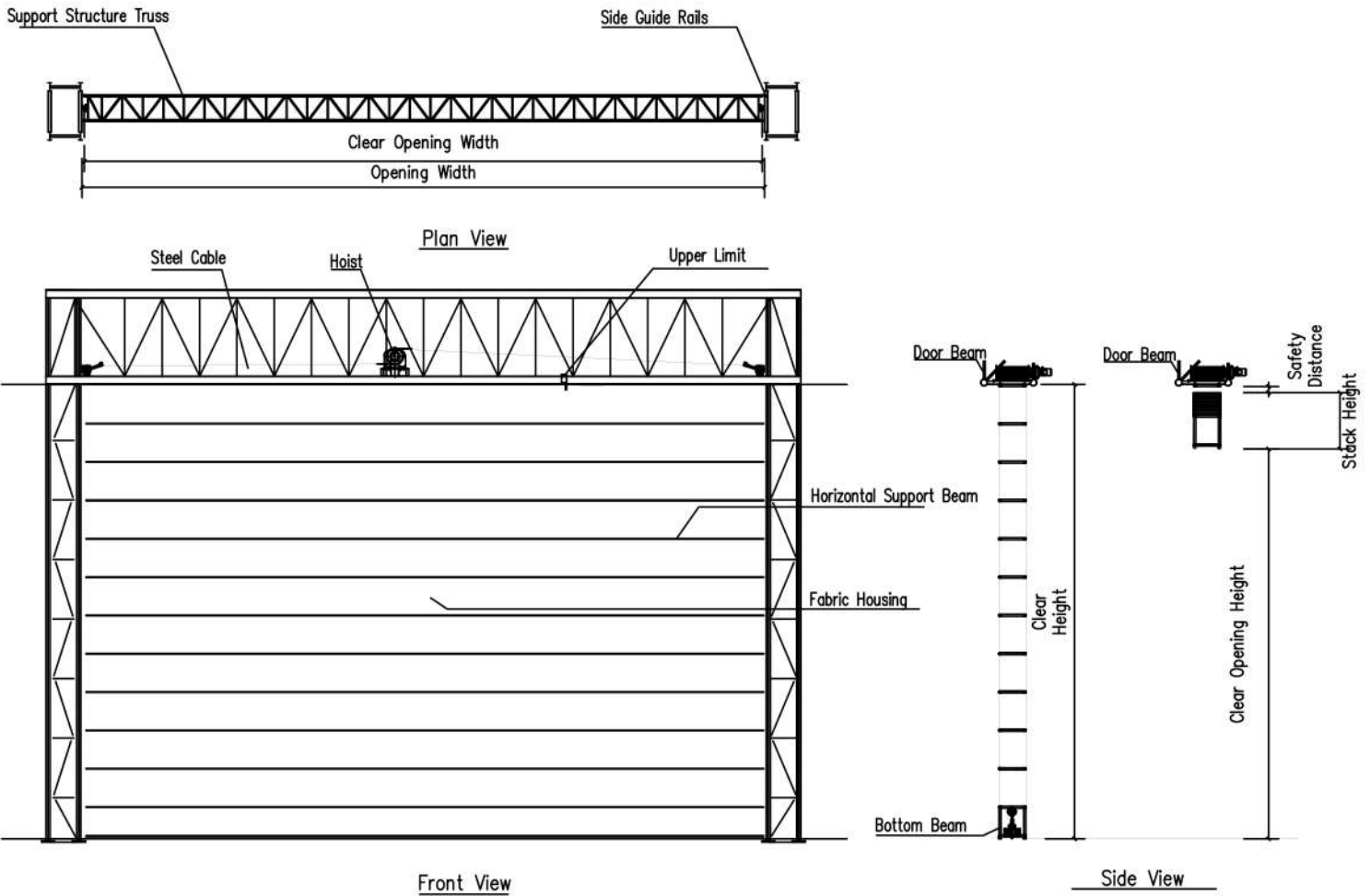


BEHIND WALL INSTALLATION



BETWEEN WALL INSTALLATION

Typical Drawing



Delta Tech Group



Delta Technology Pte Ltd

RD SBS Roller Door Pte Ltd

Address: 34 Loyang Crescent Singapore 508993

Tel: +65 6382 2621 | +65 6285 7813

Fax: 65 6281 3496 | +65 6285 8150

Email: enquiry@deltatech.com.sg

Website: www.deltatech.com.sg

